

# Schwing Line Pumps

LP 350 / SPL 1000 / SPL 1400 / SPL 1800



## LP 350 / SPL 1000 / SPL 1400 / SPL 1800

The SCHWING Line Pump is a compact truck mounted concrete pump for applications where concrete should be pumped through static pipe lines. Designed for long horizontal and vertical pumping distances, this efficient pump unit meets the demands of a thoroughly rewarding niche market, i.e. in applications where the deployment time has been too short and the set up time too long for stationary concrete pumps or where standard truck mounted concrete pumps with placing booms are too large or too small.

Mobility is the crucial factor here, and is the one making this machine a valuable addition to any concrete pump fleet owned by a pump service enterprise. But more than that, it's favourable size makes the SCHWING Line Pump the ideal business launching model. The entrepreneur who has to think in economic terms when ordering his 'very first', but not at the expense of operation dependability and SCHWING quality, will find decision making simplified with the line pumps modular system. Just the basic pump unit mounted on a reasonably priced, medium sized carrier vehicle and driven by its engine provides a complete all round machine which soon gives value for money and yields a profit. The concrete pump can be retrofitted and expanded at any time to meet individual requirements.

A wide range of equipment and accessories are available for this purpose, i.e. :-

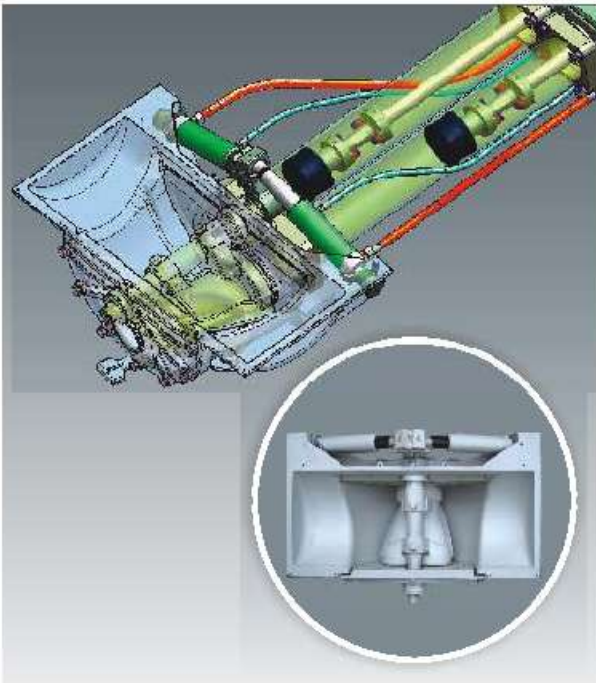
### The Separate Engine

This makes the concrete pump independent of a motorized carrier vehicle and offers full capacity utilization even with second hand chassis.

### The Valve Options

You choose between 1. Rock valve and 2. Flat gate valve system.

## Line Pump - Special Features



### R.L Rock Valve

RL-Rock valve, engineered by SCHWING R&D after extensive studies of behavior of tough concrete in various developing countries. This rugged, reliable rock valve is highly suited for stiff, difficult mixes of concrete and ideal for use in combination with the long stroke pumping unit. An option that can be recommended is the hard facing layer for extremely long service life.

### Flat Gate Valve

The two flat gate valves working independently have been especially developed for pumping concrete. Their working system with automatic adjustment permits trouble-free pumping even with badly worn parts.



### Integrated Control Block

The hydraulic control system is integrated with in the drive. The compact control block & minimal hydraulic lines makes the equipment Reliable & durable.



### Fast Switching Valve

Compact design individual switching circuit ensures quick operation of rock valve.





### Maintenance

A central bank of grease nipples supplies grease to all of the lube points on agitator and rock valve.

### Remote control

The Concrete pump comes complete with a 10 meter cable remote control as a standard feature.

### Optional Pipe Rack

We recommend the selection of optional pipe rack. Using this setup you can carry 100 meters of pipeline in the truck itself safely without damage.

### Hydraulics

Direct high torque driven on to the agitator shaft as well as robust design of all hydraulic components in conjunction with constant flow micro filtering of the hydraulic oil ensure operational reliability and a long service life.

### Water Cleaning System

We also provide water cleaning system for cleaning pipelines and other accessories which will enhance the life time of the components.



## Line Pumps - Technical Data

| Description               | Units | LP 350 D    | SPL 1000       | LP 1400 D   | LP 1800     |
|---------------------------|-------|-------------|----------------|-------------|-------------|
| Motor/ Engine rating      | kW    | 49          | 35             | D49         | 81          |
| Pumping cylinder          | mm    | 180 / 1200  | 180 x 1000     | 180 * 1400  | 200 * 1600  |
| Diff-cylinder * stroke    | mm    | 100/56*1200 | 80 / 50 x 1000 | 100/60*1400 | 120/80*1600 |
| Max strokes / min         |       | 25          | 24             | 24          | 24          |
| Max theor.concrete output | cu.m  | 46          | 36             | 52          | 73          |
| Max concrete pressure     | bar   | 60          | 63             | 99          | 108         |
| Weight                    | kg    | 3100        | 5500           | 3600        | 4000        |
| Max delivery line         | mm    | 150         | 150            | 150         | 150         |
| Feeding hopper capacity   | liter | 600         | 400            | 400         | 400/600     |

# SCHWING - STETTER

## ALWAYS CLOSE TO THE CUSTOMER.



- Sales Branch
- Resident Engineer
- Resident Engineer with Spares Depot
- Service Centre with Spares Depot
- Dealership Support
- Customer Training Center

### SCHWING STETTER (INDIA) PVT LTD

An ISO 9001 : 2008 Company

**CORPORATE OFFICE :** F 71 - 72, SIPCOT Industrial Park, Irungattukottai, Sriperumpudur Taluk, Kancheepuram District, Tamil Nadu - 602105.  
Tel : 044 2715 6780 / 781, 47108100  
Fax : 044 2715 6539 Email : schwing@vsnl.com

**Mumbai :** 62D/62I, Nirmal Lifestyle Corporate Centre, 6th floor, LBS Marg, Mulund(West), Mumbai 400080.  
Tel : 022 25624863 / 64, 30718300  
Fax : 022 25624865 / 66  
E-Mail : mumbai@schwingstetterindia.com

**New Delhi :** 9, Okhla Industrial Estate, Phase III, New Delhi - 110 020.  
Tel : 011 30928500 Fax : 011 30928530  
E-Mail : newdelhi@schwingstetterindia.com

**Kolkata :** Y6, Block EP, Sector V, Electronics Complex, Salt Lake City, Kolkata-700091.  
Tel : 033 3322 3300 / 3355 5588 Fax : 033 23594326  
E-Mail : kolkata@schwingstetterindia.com

**Hyderabad :** Door No-8-2-268/1/C Plot No.2, Road No-3, Aurora Colony, Banjara Hills, Hyderabad-500034.  
Tel : 040-33555588 / 30948601 Fax: 040 23731770  
E-Mail : hyderabad@schwingstetterindia.com

**Jamshedpur :** No.17, Purulia High Way, Near Chepa Pul, Azad Nagar Mango, Jamshedpur-832 110  
Tel : 0657-236 0003

**Bangalore :** No 138-B, "UDAYAGIRI COMPLEX", 3rd Phase, KIADB Industrial area, Peenya, Bangalore 560058.  
Tel : 080 3355 5588 Fax : 080 3011 4301  
E-Mail : bangalore@schwingstetterindia.com

**Chandigarh :** SCO 165 , SECTOR 38 C&D, Chandigarh (Union Territory) - 160 036.  
Tel : 0172-3957500 / 3957505 Fax : 0172-3957501  
E-Mail : chandigarh@schwingstetterindia.com

**Vizag :** Plot No.54, IDA - Block 'D', Expansion, Auto nagar, Vissakhapatnam - 530 012  
Tel : 0891 6461783 Fax: 0891 2706063

**Ahmedabad :** 103, Shivalik Arcade, 100 Ft.T.P Anand Nagar Satellite Road, Satellite, Ahmedabad 380 051.  
Tel : 079- 3355 5588 Fax : 079-4006 4084  
E-Mail : ahmedabad@schwingstetterindia.com

**Cochin :** No.34 / 1404 B, Arakkakadavu Road, Anchumana, Edappally - P.O. Kochin - 682 024  
Tel : 0484 - 4055544 Tel : 0422 4392227  
E-Mail : cochin@schwingstetterindia.com

**Raipur :** NH-6, Opposite Vardhaman Motor, Kumahari, Dist - Durg, Chhattisgarh - 490042.  
Tel : 07821 247066  
E-Mail : sunil.kumar@schwingstetterindia.com

**Pune :** Arihant Court, Shop No. 1, 2 & 3, 481, Rasta Peth, Mudliar Road, Pune 411 011.  
Tel : 020-33555588 Fax : 020-30531517, 30531511  
E-Mail : pune@schwingstetterindia.com

**Coimbatore :** 88-C, Nehru nagar (W), Kalapatti main road, Civil aerodrome PO, Coimbatore - 641014. Tel : 0422 4392227  
E-Mail : coimbatore@schwingstetterindia.com

**Bhubaneswar :** Plot No:182, Naharkanta, Rudrapur, Beside Puri Main Canal, NH5, Bhubaneswar - 752101, Odisha. Tel : 0674 2463999

**Patna :** C/o, Mrs. Hemanti Devi, East Pahari, NH-31, Near Zero Mile, Patna - 800007.  
Tel : 0612-3057725 Fax : 0612-3057728  
E-Mail : cochin@schwingstetterindia.com

**Surat :** C-19 & D-19 Green Park, Light Industrial Estate, Opp. Madhav Park, Udhna Navsari Road, Unn - Surat -395023. Tel : 0261 2750033  
Fax: 020-30531517, 30531511  
E-Mail : ahmedabad@schwingstetterindia.com

**Mangalore :** Door No.4/24/9, Off Survey No.165/1A, "Shreya Towers" Surathkal, Mangalore- 575 014  
Tel : 0824 - 3200381 Fax: 0824 - 2478381

**Guwahati :** House No. 161, Jaya Nagar, Six Miles, Khanapara, Guwahati 781 022.  
Tel : 0361 2234738 / 9957566738