

## SCHWING Rock Valve



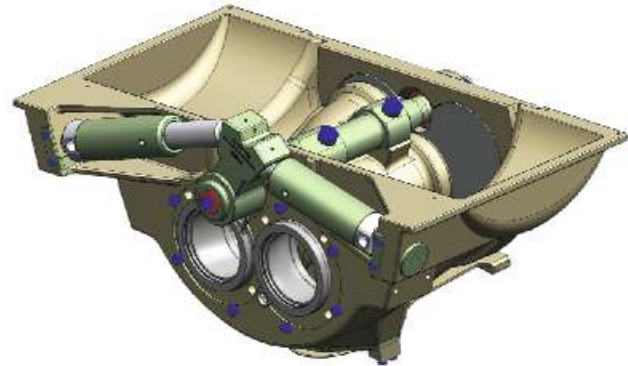
Manufactured by SCHWING Stetter India in jointly with SCHWING engineers from Germany. The patented RL Rock Valve is the result of years of research and experience in concrete and is universally acknowledged to be the best concreting valve.



# SCHWING Rock Valve

The SCHWING Rock Valve has proven itself over many years and in countless applications to be the epitome of economy in the world of concrete valves. The rock valve is patented by SCHWING and it powers majority of pumps manufactured by SCHWING.

The valve system has several advantages which has made it as a favourite of contractors worldwide. The Rock is robust and easy to service. It is subject to natural wear when pumping concrete and can then be rebuilt with hard-face welding which makes it multi-economical.



## Lower Cost

All concrete valves reduce from inlet to outlet but the rock body increases in size. But the outlet is engineered to be smaller than the inlet, so it is theoretically a reduction. Concrete, being a fluid takes the path of least resistance. So the combination of a larger body and a smaller outlet causes concrete to flow along the path of least resistance rubbing against concrete and not against metal which causes lower wear per cubic metre.

## Periodic Hard facing makes the valve last forever

The main advantage of the rock valve is its ability to be hard faced completely internally. The design of the rock valve enables this while the design of other valves prevents this. This means that the Rock can be completely rebuilt periodically resulting in the valve becoming good as new again.

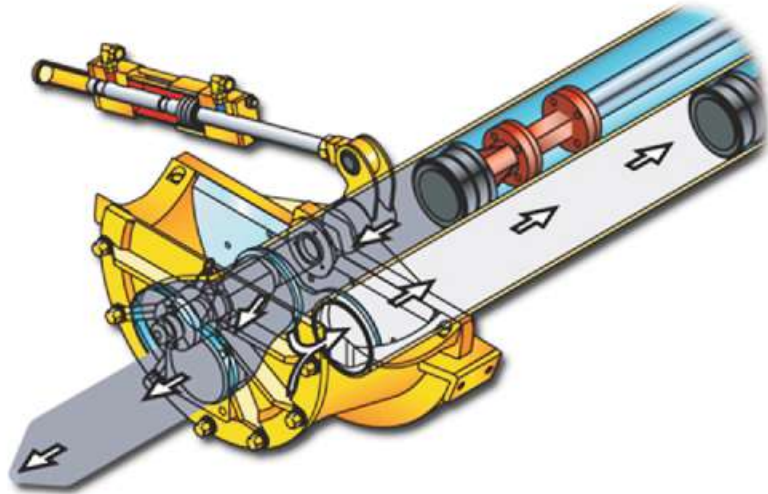
## Fuel Saving

This valve system is completely free of internal restrictions. The lack of internal resistance also contributes to a smoother flow of concrete and this free flow utilises lesser fuel as well for concrete pumping.

## More Power and Balance

The Rock valve is perfectly balanced along its neutral axis. This means that lesser vibrations are transmitted to the pumping. This is especially visible in the case of boom pumps where other's pumps are seen literally Swinging while Schwing pumps are more stable thanks to the Rock and the outrigger system.

The large body design also helps develop more force to the concrete flow which results in concrete being pumped higher or further utilising lesser fuel. Thus, we can see that the rock valve is a far superior system and this fact has been proven on countless sites worldwide.



All SCHWING Stetter pumps made in India are now available with the next generation RL Rock Valve that has been made for India after years of study in the behaviour of Indian concrete mixes.



**SCHWING STETTER (INDIA) PVT LTD**

ISO 9001:2008 :: OHSAS 18001: 2007 :: ISO 14001:2004

F 71 - 72, SIPCOT Industrial Park, Irungattukottai, Sriperumpudur Taluk, Kancheepuram District, Tamil Nadu - 602105.  
Tel : 044 2715 6780 / 781, 47108100 Fax : 044 2715 6539 Email : [schwing@vsnl.com](mailto:schwing@vsnl.com), [chennai@schwingstetterindia.com](mailto:chennai@schwingstetterindia.com)

MUMBAI | NEW DELHI | HYDERABAD | BANGALORE | KOLKATA | AHMEDABAD | PUNE | VIZAG  
COCHIN | MOHALI | BHUBANESWAR | GUWAHATI | RAIPUR | JAMSHEDPUR | COIMBATORE | SURAT | PATNA