

SCHWING Concrete Pumps

SP 1200 / SP 1200 HD / SP 1400 / SP 1600



SCHWING Concrete Pumps

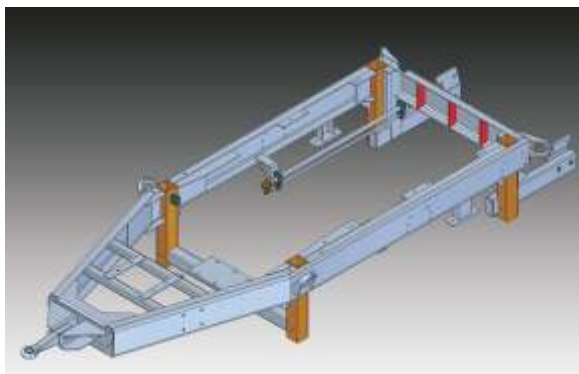
Introducing the SCHWING range of concrete pumps designed to meet the demands of various entry level concrete pumping jobs. These pumps are designed to maximise your productivity with lowest operating costs.

RL Rock

Made after years of extensive study in the behaviour of tough concrete mixes, this valve is ideally suited for pumping harsh concrete and can withstand rugged site conditions as in India. This valve has been recognised worldwide as the toughest concrete valve. The optional hard-facing is also recommended.



RL Rock Valve



Specially designed rigid chassis

Rigid Chassis

Strengthened Chassis with shock-resistant stabilisers to increase strength and stability.

Portability

The conveniently placed towing hook and toughened frame and axle enable portability across rough terrain. The low weight of the pump allows it to quickly move it from one site to the other.



Integrated control block



10m remote comes as a standard

Control

An easy to use remote with 10m cable comes as standard with the pump so your operators learn and start using it immediately. The famous SCHWING maintenance-free control system with its proven free flow hydraulics ensures optimum fuel consumption, low heat generation and helps your components last long to reduce your operating costs.

Hydraulics

Direct high-torque driven on to the agitator shaft as well as robust design of all hydraulic components in conjunction with constant flow micro-filtering of the hydraulic oil ensure operational reliability and a long service life.



Gearbox drive for agitator

Gear Box for Agitator Motor

By controlling the drive of the agitator motor through a gearbox, there is lesser damage on the agitator and lesser stress on the hydraulic components leading to increased life of the product.

Easy Maintenance

The easy access to all the parts of the machine ensures that maintenance requires the minimum time for maintenance so your machine is up and running in no time at all.

Pumping

The pump has two powerful differential and pumping cylinders. The prodigious combined capacity and performance of these cylinder systems ensures a high output. Our pumps are designed to offer you maximum output with minimum number of strokes to increase the life of the cylinders.



SP1200



SP1200 HD



SP1400



SP1600

TECHNICAL DATA

Parameters	Unit	SP 1200 D / E	SP 1200 HD	SP 1400 D / E		SP 1600	
Engine / Motor Capacity	kW	49 / 45	49	49 / 45		73	
Nominal speed	min ⁻¹	2100 / 1500	2100	2100 / 1500		2200	
Pumping Cylinder Ø x Stroke	mm	180 x 1200	150 x 1200	180 x 1400		180 x 1400	
Differential cylinder drive		Rod side	Rod side	Piston Side	Rod side	Piston Side	Rod side
Max. Strokes per min	No.s	24 / 21	29	16 / 12	24 / 21	21	30
Max. theor. Concrete Output	m ³ /h	45 / 38	37	34 / 25	52 / 40	45	64
Max. Concrete pressure	bar	70	85	99	63	105	67
Capacity of Charging Hopper	litres	600	600	600		600	
Dead Weight incl. oil and Fuel	kg	3800	3800	4500		4530	
Delivery line Ø up to	mm	150	150	150		150	

SCHWING - STETTER

ALWAYS CLOSE TO THE CUSTOMER.



-  Sales Office
-  Resident Engineer
-  Resident Engineer with Spares Depot
-  Service Centre with Spares Depot
-  Dealership Support
-  Customer Training Center

SCHWING STETTER (INDIA) PVT LTD

An ISO 9001 : 2008 Company

CORPORATE OFFICE : F 71 - 72, SIPCOT Industrial Park, Irungattukottai, Sriperumbudur Taluk, Kancheepuram District, Tamil Nadu - 602117.
Tel : +91 44 71378100 / 106, 37178100 / 106
Email : schwing@vsnl.com

Kolkata : Y6, Block EP, Sector V, Electronics Complex, Salt Lake City, Kolkata-700091. Tel: 033 3322 3300
033 3355 5588 Fax : 033 3322 3326
Email : kolkata@schwingstetterindia.com

Bangalore : No 138-B, "UDAYAGIRI COMPLEX", 3rd Phase, KIADB Industrial area, Peenya, Bangalore - 560058.
Tel : 080 3355 5588 Fax : 080 3011 4301
Email : bangalore@schwingstetterindia.com

Ahmedabad : 103, Shivalik Arcade, 100 Ft., T.P Anand Nagar, Satellite Road, Ahmedabad 380 051.
Tel : 079 3355 5588 Fax : 079 4006 4084
Email : ahmedabad@schwingstetterindia.com

Pune : Arihant Court, No.1,2 & 3, 481, Rasta Peth, Mudliar Road, Pune - 411011. Tel: 020 3355 5588
Fax : 020 3053 1517, 3053 1511
Email : pune@schwingstetterindia.com

Patna : C/o, Mrs. Hemanti Devi, East Pahari, NH-31, Near Zero Mile, Patna - 800007. Mob : 09570996702
Tel: 0612 3057728 Fax : 0612 3057725
Email : rajiv.chandra@schwingstetterindia.com

Goa : Next to Barreto Metal Works, House No 451/1, Dagwal, Madgaon-Ponda Highway, Raia, Salcete, Goa - 403720. Tel: 7304437377

Mumbai : 620/621, Nirmal Lifestyle Corporate Centre, 6th floor, LBS Marg, Mulund (West), Mumbai 400080.
Tel : 022 25624863 / 64, 30718300
Fax : 022 25624865 / 66
Email : mumbai@schwingstetterindia.com

Hyderabad : No.8-2-268/1/C, Plot 2, Road 3, Arora Colony, Banjara Hills, Hyderabad-500034.
Tel: 040 33555588 / 30948601 Fax: 040 23731770
Email : hyderabad@schwingstetterindia.com

Visakhapatnam : Plot No.54, IDA - Block 'D', Expansion, Auto nagar, Visakhapatnam - 530 012.
Tel : 0891 6461783 Fax: 0891 2706063

Cochin : No.134 / 1404 B, Arakkakadavu Road, Anchumana, Edappally P.O. Cochin - 682 024.
Tel: 0484 - 3355558 / 4055544 Fax: 0484 4506165
Email : cochin@schwingstetterindia.com

Coimbatore : 2005, Trichy Road, Old Rajalaxmi Mills, Singanallur, Coimbatore-641005. Tel: 0422 4506165
Email : coimbatore@schwingstetterindia.com

Surat : C-19 & D-19 Green Park, Light Industrial Estate, Opp. Madhav Park, Udhna Navsari Road, Unn - Surat -395023.
Tel : 08980002726
Email : ahmedabad@schwingstetterindia.com

Nagpur : C/o Amrut Dairy Farm, No. 118, Opp VCA Stadium, Jamtha, 16th KM Milestone, NH-7, Wardha Road, Nagpur - 441108. Tel : 07104327484
Email : goraj.bawankule@schwingstetterindia.com

New Delhi : 19, Okhla Industrial Estate, Phase III, New Delhi - 110 020.
Tel : 011 30928500 Fax : 011 30928530
Email : newdelhi@schwingstetterindia.com

Mohali : D 91-PH-VII, Industrial Area, Mohali, Punjab - 160 055. Tel : 0172 3957500 / 3957501
Email : chandigarh@schwingstetterindia.com

Jammu : C/o. VRL Logistics Limited, Plot No. 19, Transport Nagar, Narwal, Jammu - 180006.
Tel : 099060 35941.

Bhubaneswar : Plot No:182, Naharkanta, Rudrapur, Beside Puri Main Canal, NH5, Bhubaneswar - 752101 Odisha. Tel : 9078884484 / 85

Raipur : NH-6, Opposite Vardhaman Motor, Kumahari, Dist - Durg, Chhattisgarh - 490042.
Tel : 07821 247066
Email : sunil.kumar@schwingstetterindia.com

Guwahati : House No. 161, Jaya Nagar, Six Miles, Khanapara, Guwahati 781 022.
Tel: 0361 2234738 / 099575 66738

Indore : Godown no.20, Pipliya Kumar Mangal Compound, Dewas Naka, MR-11, Indore - 452010. M.P. Tel : 0731 4002487
Email : ahmedabad@schwingstetterindia.com

Jaipur : F-95, Om Industries, Godown, No.18, Road No.7, Vishwakarma Industrial Area, Jaipur - 302 013. Phone: 08939804085