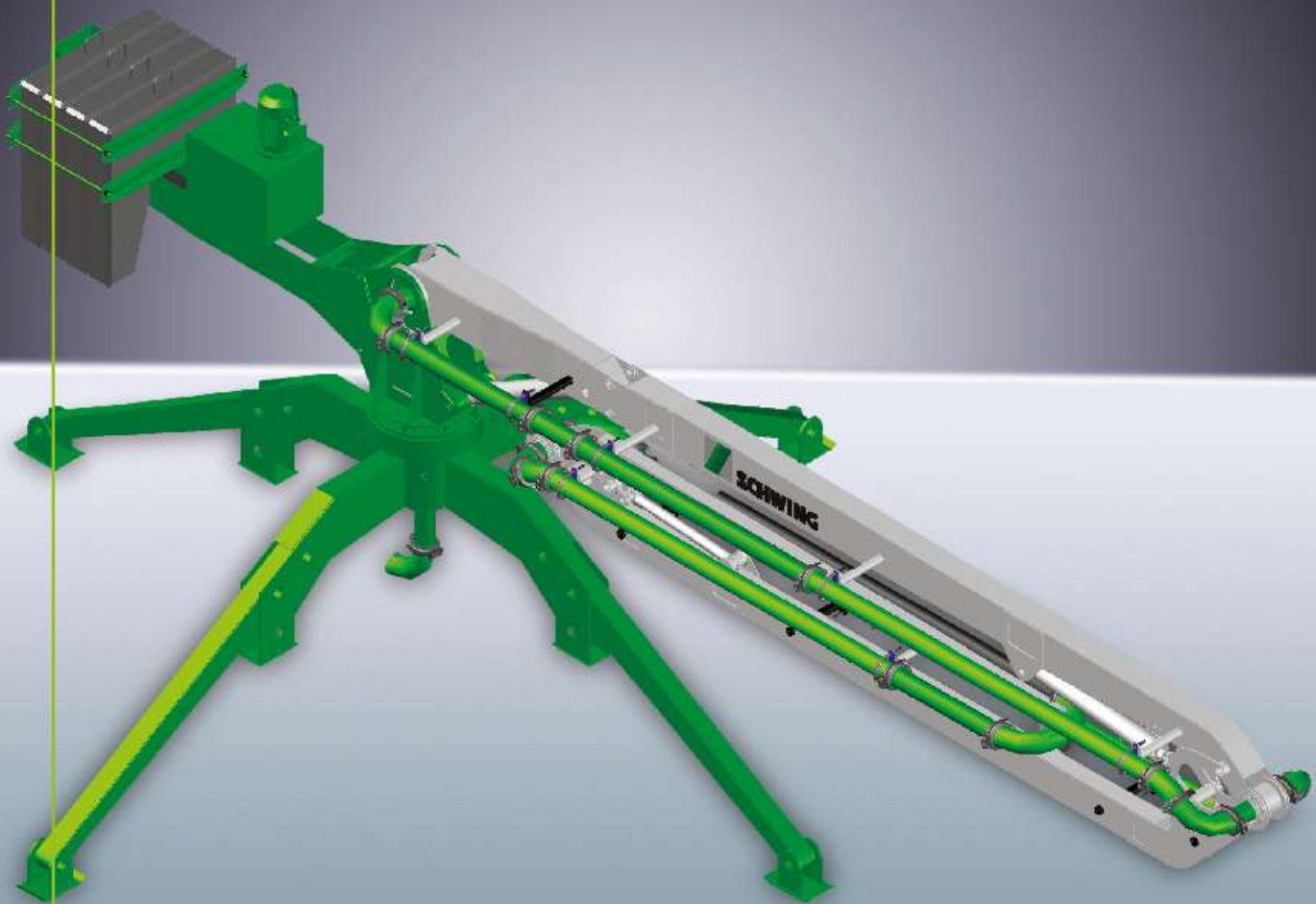


SCHWING Concrete Placer Boom

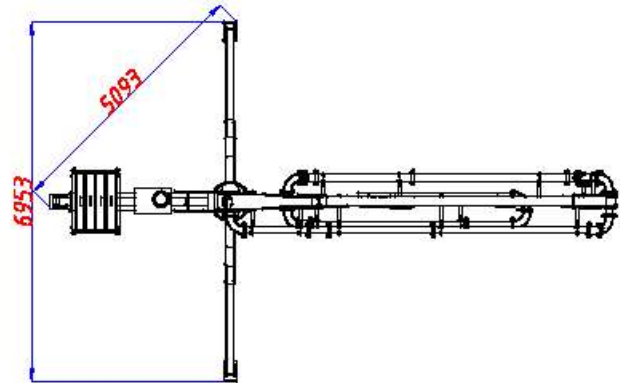
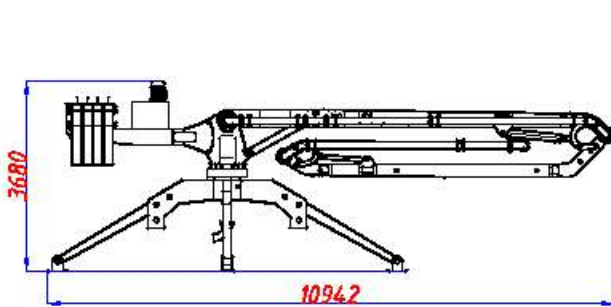
RVH 18



SCHWING Concrete Placer Boom - RVH 18

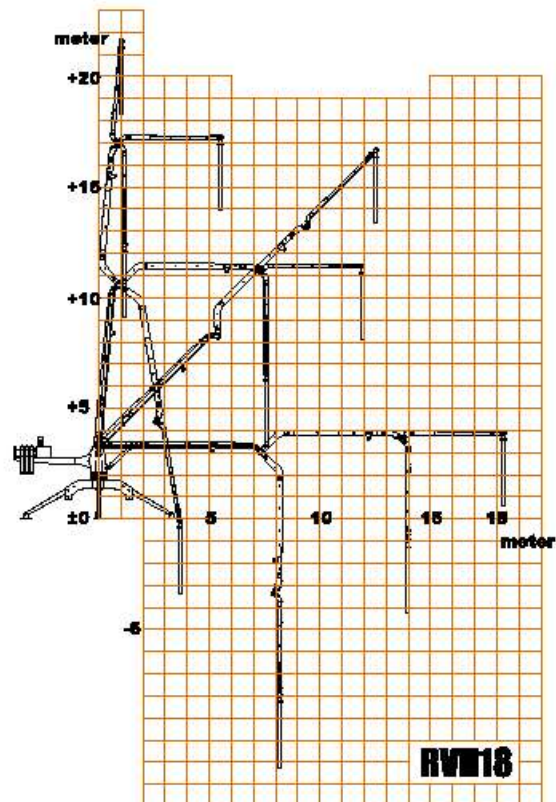
SCHWING Concrete Placer boom - RVH 18 is a concrete distributor with DN 125 pipeline and bends with SCHWING interchangeable pipe couplings. This placer boom has four self-supporting legs, foldable to make easy transport. The light weight design of pedestal and boom enables easy lifting and reduced support reaction on legs.

Roll and fold Boom design with infinitely slewing base column with prime-mover electric Motor. All the control functions are operated by hand held remote control with emergency manual levers fitted on the valves. The counter weight for all operation comes with power pack resting on a slewing base column. The assembled unit is placed over the floor during operation and self-supporting on four legs.



TECHNICAL DATA

Concrete Distributor	RVH 18
Horizontal reach from centre of rotating axis, max	18.2M
Vertical reach (max)	21 M
Slewing Range	360 deg
Concrete covering area	254 sq.m
Dia of pipeline	DN 125
End Hose length	3 M
Max weight during transport (with Ballast)	6571 Kg
Ballast weight	2400 Kg
First boom length	7.2m
Second boom length	6.8 m
Third boom length	4.4 m
Power requirement	10kW,3Ph 415V
Transport dimensions	10.9m(L)x 2.4m(W)x2.6m(H)
Container requirement- 40 feet closed	one



SCHWING STETTER (INDIA) PVT LTD

ISO 9001:2008 :: OHSAS 18001: 2007 :: ISO 14001:2004

F 71 - 72, SIPCOT Industrial Park, Irungattukottai, Sriperumbudur Taluk, Kancheepuram District, Tamil Nadu - 602117.

Tel : 044 2715 6780 / 781, 47108100 Fax : 044 2715 6539

Email : enquiry@schwingstetterindia.com Website : www.schwingstetterindia.com

MUMBAI | NEW DELHI | HYDERABAD | BANGALORE | KOLKATA | AHMEDABAD | PUNE | VIZAG
COCHIN | MOHALI | BHUBANESWAR | GUWAHATI | RAIPUR | JAMSHEDPUR | COIMBATORE | SURAT | PATNA