

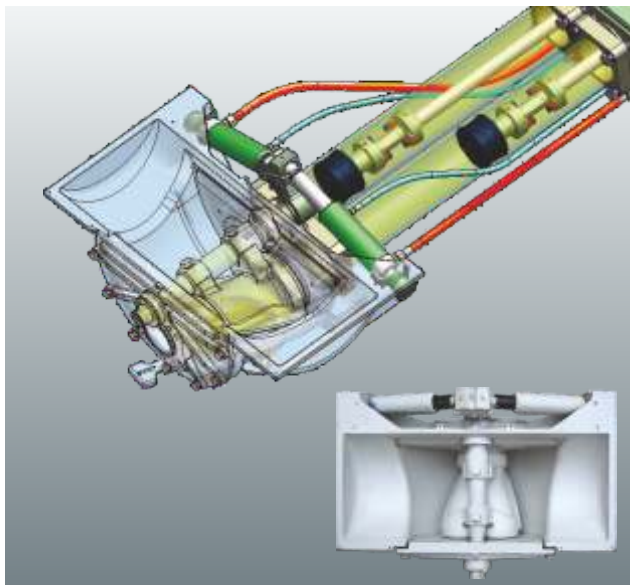
# SCHWING Concrete Pump

SP1807 RMC / SP 1800 / SP 2000



# SCHWING Concrete Pumps

SCHWING portable concrete pumps are successfully deployed worldwide wherever vast quantities of concrete have to be pumped over exceptionally long horizontal and vertical distances. In building and civil engineering projects, they are also fast, reliable and economically efficient in handling pumpable concretes under extreme conditions with regard to concrete designs, job sites and climate.



## Compact class, High performance & High fuel efficiency



### The Rock Valve

RL-Rock valve, is a new generation Rock valve, Engineered by SCHWING R&D after extensive studies of behavior of tough concrete in various developing countries.

This rugged, reliable rock valve is highly suited for stiff, difficult mixes of concrete and ideal for use in combination with the long stroke pumping unit. An option that can be recommended is the hard facing layer for extremely long service life.



### Integrated Control Block

The hydraulic control system is integrated within the drive. The compact control block & minimal hydraulic lines makes the equipment Reliable & durable.



### Fast Switching Valve

Compact design individual switching circuit ensures quick operation of rock valve.



### Remote Control

The Concrete pump comes complete with a 10 meter cable remote control as a standard feature.



### Hydraulics

All SCHWING concrete pumps have an output governed hydraulic pump that ensures that the prime mover is never overloaded, the automatic governor splits available engine output optimally into oil flow and oil pressure and allows the concrete pump to run at the best possible output level. At the same time, the manual de-stroker valve can be used to set the pump to a required fine tuning to set stroke rate and output independent of the automatic governor. The open circuit, combined with the SCHWING designed "Hi-flow" spool block ensures minimum heat generation in the hydraulics, therefore there are negligible output losses and minimum stress on the hydraulic components.

### Easy Maintenance

The easy access to all the parts of the machine ensures that maintenance requires the minimum time for maintenance so your machine is up and running in no time at all.

# SCHWING Pumps - Higher, Faster, Fuel Efficient



## Pumping

The pump has two powerful differential and pumping cylinders. The prodigious combined capacity and performance of these cylinder systems ensures a high output. Our pumps are designed to offer you maximum output with minimum number of strokes to increase the life of the cylinders.



SP 1807 RMC



SP 1800



SP 2000

## SP 1807 TECHNICAL DATA

Parameters	Unit	SP 1807		SP 1800 D / E		SP 2000	
Engine / Motor Capacity	kW	75		81 / 75		132	
Nominal speed	min <sup>-1</sup>	2300		2100		2100	
Pumping Cylinder Ø x Stroke	mm	200 x 1400		200 x 1600		200 x 1600	
Differential cylinder drive		Piston	Rod	Piston	Rod	Piston	Rod
		Side	Side	Side	Side	Side	Side
Max. Strokes per minute	No.s	16	27	14/14	24/24	14	24
Max. theor. Concrete Output	m <sup>3</sup> /h	41	72	42/42	73/73	42	73
Max. Concrete pressure	bar	112	62	112	62	119	66
Capacity of Charging Hopper	litres	600		600		600	
Dead Weight incl. oil and Fuel	kg	4600		5200		5300	
Delivery line Ø up to	mm	150		150		150	

# SCHWING - STETTER

## ALWAYS CLOSE TO THE CUSTOMER.



- Sales Office
- Resident Engineer
- Resident Engineer with Spares Depot
- Service Centre with Spares Depot
- Dealership Support
- Customer Training Center

### SCHWING STETTER (INDIA) PVT LTD

An ISO 9001 : 2008 Company

**CORPORATE OFFICE** : F 71 - 72, SIPCOT Industrial Park, Irungattukottai, Sriperumbudur Taluk, Kancheepuram District, Tamil Nadu - 602117.  
Tel : +91 44 71378100 / 106, 37178100 / 106  
Email : schwing@vsnl.com

**Kolkata** : Y6, Block EP, Sector V, Electronics Complex, Salt Lake City, Kolkata-700091. Tel: 033 3322 3300  
033 3355 5588 Fax : 033 3322 3326  
Email : kolkata@schwingstetterindia.com

**Bangalore** : No 138-B, "UDAYAGIRI COMPLEX", 3rd Phase, KIADB Industrial area, Peenya, Bangalore - 560058.  
Tel : 080 3355 5588 Fax : 080 3011 4301  
Email : bangalore@schwingstetterindia.com

**Ahmedabad** : 103, Shivalik Arcade, 100 Ft., T.P Anand Nagar, Satellite Road, Ahmedabad 380 051.  
Tel : 079 3355 5588 Fax : 079 4006 4084  
Email : ahmedabad@schwingstetterindia.com

**Pune** : Arihant Court, No.1,2 & 3, 481, Rasta Peth, Mudliar Road, Pune - 411011. Tel: 020 3355 5588  
Fax : 020 3053 1517, 3053 1511  
Email : pune@schwingstetterindia.com

**Patna** : C/o, Mrs. Hemanti Devi, East Pahari, NH-31, Near Zero Mile, Patna - 800007. Mob : 09570996702  
Tel: 0612 3057728 Fax : 0612 3057725  
Email : rajiv.chandra@schwingstetterindia.com

**Goa** : Next to Barreto Metal Works, House No 451/1, Dagwal, Madgaon-Ponda Highway, Raia, Salcete, Goa - 403720. Tel: 7304437377

**Mumbai** : 620/621, Nirmal Lifestyle Corporate Centre, 6th floor, LBS Marg, Mulund (West), Mumbai 400080.  
Tel : 022 25624863 / 64, 30718300  
Fax : 022 25624865 / 66  
Email : mumbai@schwingstetterindia.com

**Hyderabad** : No.8-2-268/1/C, Plot 2, Road 3, Arora Colony, Banjara Hills, Hyderabad-500034.  
Tel: 040 33555588 / 30948601 Fax: 040 23731770  
Email : hyderabad@schwingstetterindia.com

**Visakhapatnam** : Plot No.54, IDA - Block 'D', Expansion, Auto nagar, Visakhapatnam - 530 012.  
Tel : 0891 6461783 Fax: 0891 2706063

**Cochin** : No.134 / 1404 B, Arakkakadavu Road, Anchumana, Edappally P.O. Cochin - 682 024.  
Tel: 0484 - 3355558 / 4055544 Fax: 0484 4506165  
Email : cochin@schwingstetterindia.com

**Coimbatore** : 2005, Trichy Road, Old Rajalaxmi Mills, Singanallur, Coimbatore-641005. Tel: 0422 4506165  
Email : coimbatore@schwingstetterindia.com

**Surat** : C-19 & D-19 Green Park, Light Industrial Estate, Opp. Madhav Park, Udhna Navsari Road, Unn - Surat -395023.  
Tel : 08980002726  
Email : ahmedabad@schwingstetterindia.com

**Nagpur** : C/o Amrut Dairy Farm, No. 118, Opp VCA Stadium, Jamtha, 16th KM Milestone, NH-7, Wardha Road, Nagpur - 441108. Tel : 07104327484  
Email : goraj.bawankule@schwingstetterindia.com

**New Delhi** : 19, Okhla Industrial Estate, Phase III, New Delhi - 110 020.  
Tel : 011 30928500 Fax : 011 30928530  
Email : newdelhi@schwingstetterindia.com

**Mohali** : D 91-PH-VII, Industrial Area, Mohali, Punjab - 160 055. Tel : 0172 3957500 / 3957501  
Email : chandigarh@schwingstetterindia.com

**Jammu** : C/o. VRL Logistics Limited, Plot No. 19, Transport Nagar, Narwal, Jammu - 180006.  
Tel : 099060 35941.

**Bhubaneswar** : Plot No:182, Naharkanta, Rudrapur, Beside Puri Main Canal, NH5, Bhubaneswar - 752101 Odisha. Tel : 9078884484 / 85

**Raipur** : NH-6, Opposite Vardhaman Motor, Kumahari, Dist - Durg, Chhattisgarh - 490042.  
Tel : 07821 247066  
Email : sunil.kumar@schwingstetterindia.com

**Guwahati** : House No. 161, Jaya Nagar, Six Miles, Khanapara, Guwahati 781 022.  
Tel: 0361 2234738 / 099575 66738

**Indore** : Godown no.20, Pipliya Kumar Mangal Compound, Dewas Naka, MR-11, Indore - 452010. M.P. Tel : 0731 4002487  
Email : ahmedabad@schwingstetterindia.com

**Jaipur** : F-95, Om Industries, Godown, No.18, Road No.7, Vishwakarma Industrial Area, Jaipur - 302 013. Phone: 08939804085