

Shotcreting Machine

TSR 30.14 / TSM 30.14



TSR 30.14

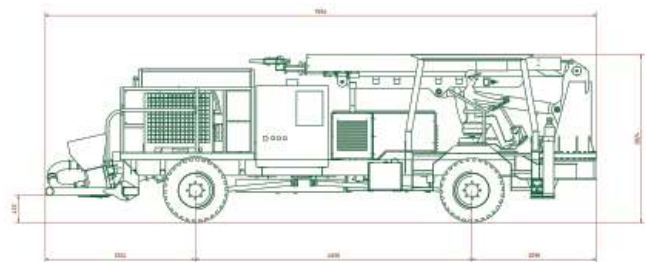
It is a Universal Shotcrete Machine driven by a diesel engine, equipped with a shotcrete pump and a telescopic boom for concrete spraying. The shotcrete pump has the ability to deliver 33 m³/hr of concrete at 59 bar.

The telescopic boom is extendable up to 14m. The boom can rotate 270° about y-axis. Both the pump and boom are driven by an electrical motor. Emergency operation of boom is carried out by a separate geared pump driven by vehicle's diesel engine.

Spraying head consist of three hydraulic motors. Two hydraulic swivelling motors are for adjusting the nozzle rotation and one hydraulic revolving motor is for the nozzle oscillation.

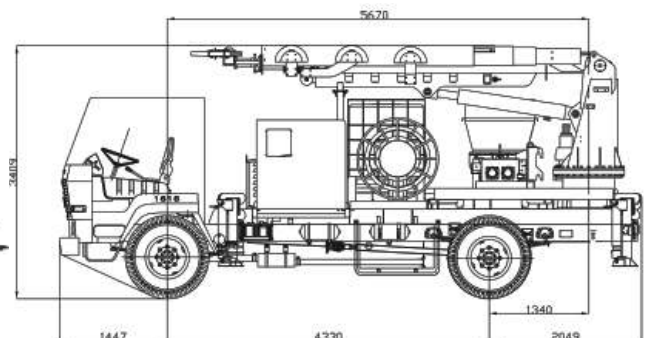
Power-controlled hydrostatic drive unit with variable pump mounted directly to the diesel engine. Power to both axles is transmitted by means of hydrostatic variable motor via transfer case. Steering of vehicle is switchable to four-wheel steering, front-axle steering and crab steering.

Open drivers stand equipped with ROPS/FOPS shelter. The vehicle can be driven in both directions by rotating the stand to 180°. Hydraulically driven water pump of 200 bar for cleaning purpose. It is also equipped with a piston type dosing pump made up of stainless steel.



TSM 30.14

TSM 30.14 is a Universal Shotcrete Machine mounted on a truck chassis, equipped with a shotcrete pump and telescopic boom. The pump kit and boom used here are same as that of TSR 30.14.



Chassis : Ashok Leyland 161, 4x2, 4300mm wheelbase with PTO pump.

Technical Data

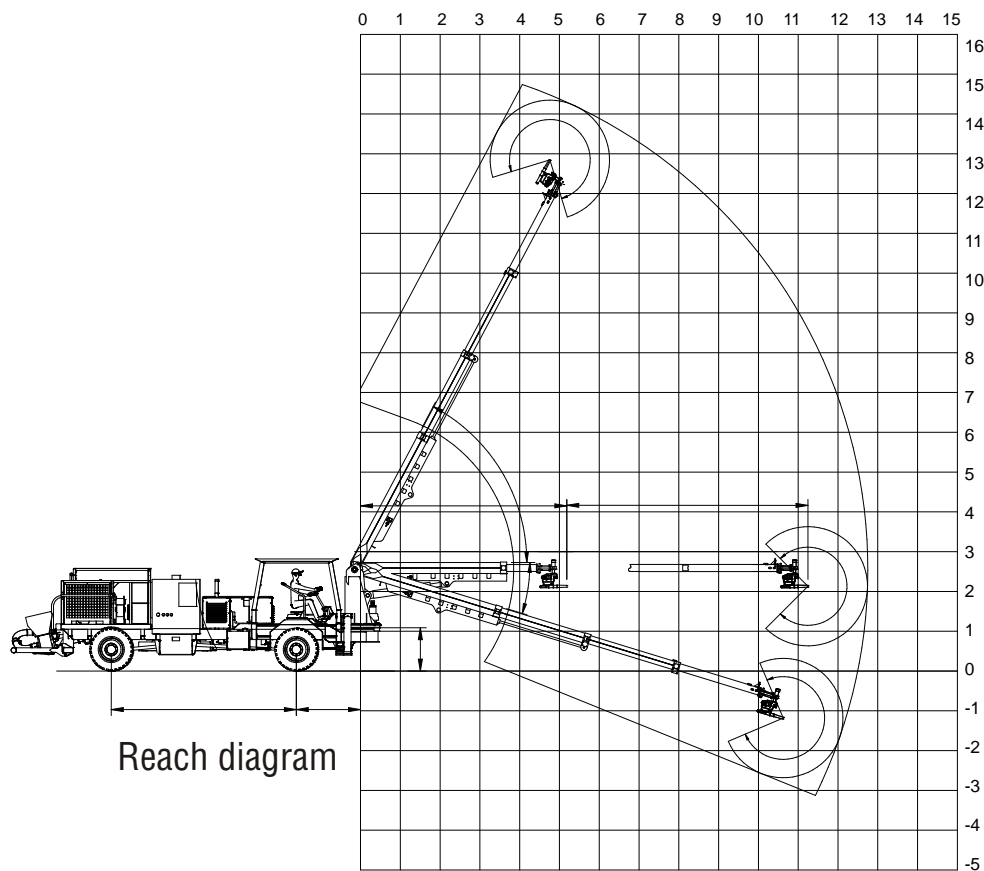
BOOM

Data	Units
Boom vertical reach	14m
Boom Horizontal reach	11m
Boom rotation	270°
Boom lifting	-17° ...+62°
Extension	6m (2m + 4m)
Nozzle rotation	360°
Nozzle tilting	270°
Nozzle slewing	360°

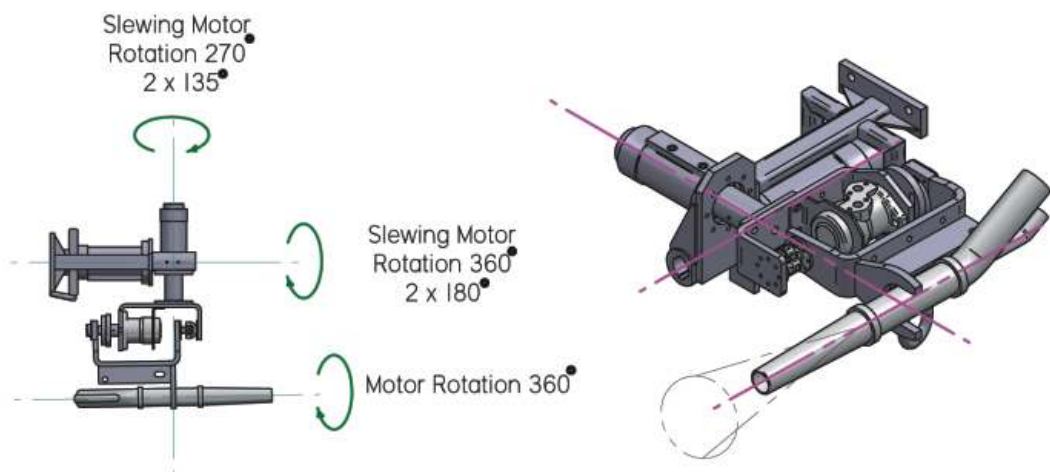
Technical Data

Pump kit

Data	Units
Maximum theor. Concrete output	33m³/hr
Max. Concrete Pressure	59 bar
Max. number of strokes	35
Pumping Cylinder, dia x stroke	Ø180 x 630
Piston displacement, 2 cylinders	32 l
Capacity of charging hopper	200 lts.
Capacity of Dosing tank	1000 l
Max aggregate size	25 mm



Nozzle Rotation



SCHWING - STETTER ALWAYS CLOSE TO THE CUSTOMER.

Schwing Stetter Service Centre

Chennai Service Centre

Phone(D) :+91-44-37178620 Fax :+91-44-27156868
Contact : **R. SureshKumar** Mobile :+91-9176606109
Email : sureshkumar.r@schwingstetterindia.com

Mumbai Service Centre

Phone : 022-27686086 Fax: 27622453
Contact : **V.Manigandan** Mobile : +91 9619160661
Email : manigandan.v@schwingstetterindia.com

Pune Service Centre

Tel no : 020-32609976
Contact : **A. Senthilkumar** Mobile : 09823144374
senthilkumar.a@schwingstetterindia.com

Delhi Service Centre

Phone : +91-124-2291929,
Contactn : **Naveen Arya** Mobile : 91-9582238105,
Email : Naveen.arya@schwingstetterindia.com

Ahmedabad Service Centre

Contact : **V. Venkataraman**
Mobile : 09725014326 Phone : +91-79-39879199
Email : venkataraman.v@schwingstetterindia.com

Kolkata Service Centre

Phone : 033 2659 2213, Fax: 033 2659 2214
Contact : **Ritwik Bhattacharya** Mobile : 098740 66675
Email : ritwik@schwingstetterindia.com

Gurgaon - Haryana Service Centre






Phone : 0124-2291929
Contact : **Naveen Chander Arya** Mobile : 095822 38105
Email : naveen.arya@schwingstetterindia.com

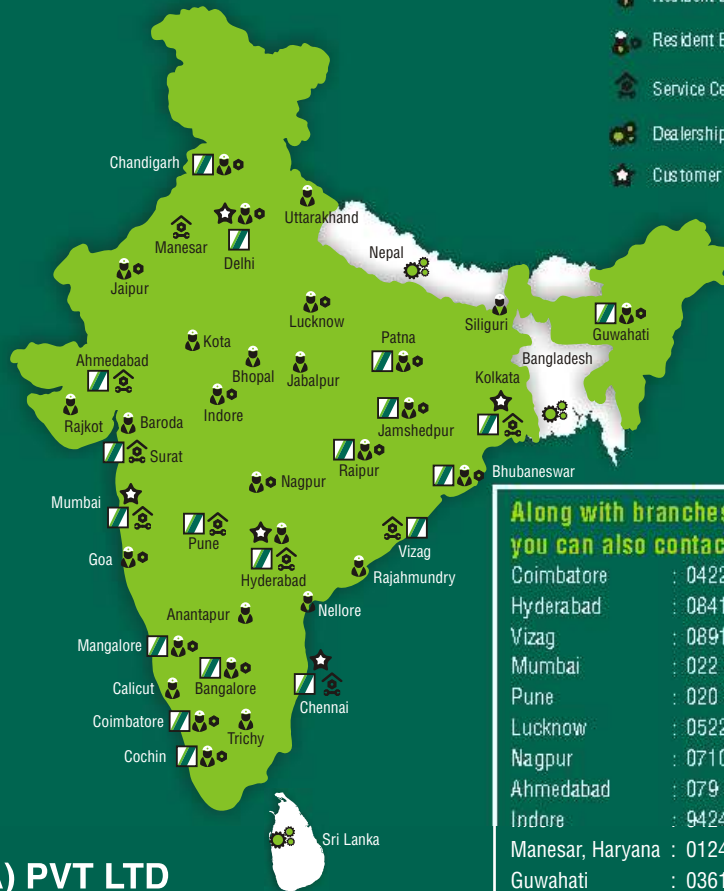
Hyderabad Service Centre

Phone : 08418 305000/5
Contact Person : **A.Senthilnathan** Mobile : 09666786173
Email : senthilnathan.a@schwingstetterindia.com

Schwing Stetter Training Department

Chennai : 044 37178 602 / 603 / 633
Email : baskarbabu.s@schwingstetterindia.com

-  Sales Branch
-  Resident Engineer
-  Resident Engineer with Spares Depot
-  Service Centre with Spares Depot
-  Dealership Support
-  Customer Training Center



Along with branches, for spares you can also contact

Coimbatore : 0422 4392221/4392227
Hyderabad : 08418-305000
Vizag : 0891 6461783
Mumbai : 022 27686086/27687086
Pune : 020 24391034/32609976
Lucknow : 0522 26622793
Nagpur : 0710 4327484/4327484
Ahmedabad : 079 39879199
Indore : 9424566120, 9893126767
Manesar, Haryana : 0124 2291929
Guwahati : 0361 2234738
Dankuni, Kolkata : 033 26592213

SCHWING STETTER (INDIA) PVT LTD

An ISO 9001 : 2008 Company

CORPORATE OFFICE : F 71 - 72, SIPCOT Industrial Park, Irungattukottai, Sriperumpudur Taluk, Kancheepuram District, Tamil Nadu - 602105.
Tel : 044 2715 6780 / 781, 47108100
Fax : 044 2715 6539 Email : schwing@vsnl.com

Mumbai : 620/621, Nirmal Lifestyle Corporate Centre, 6th floor, LBS Marg, Mulund(West),Mumbai 400080.
Tel : 022 25624863 / 64, 30718300
Fax : 022 25624865 / 66
E-Mail : mumbai@schwingstetterindia.com

New Delhi : 9, Okhla Industrial Estate, Phase III, New Delhi - 110 020.
Tel : 011 30928500 Fax : 011 30928530
E-Mail : newdelhi@schwingstetterindia.com

Kolkata : Y6, Block EP, Sector V, Electronics Complex, Salt Lake City, Kolkata-700091.
Tel : 033 3322 3300 / 3355 5588 Fax : 033 23594326
E-Mail : kolkata@schwingstetterindia.com

Hyderabad : Door No-8-2-268/1/C Plot No.2, Road No-3, Aurora Colony, Banjara Hills, Hyderabad-500034.
Tel : 040-33555588 / 30948601 Fax: 040 23731770
E-Mail : hyderabad@schwingstetterindia.com

Jamshedpur : No.17, Purulia High Way, Near Chepa Pul, Azad Nagar Mango, Jamshedpur-832 110
Tel : 0657-236 0003

Bangalore : No 138-B,"UDAYAGIRI COMPLEX", 3rd Phase,KIADB Industrial area, Peenya, Bangalore 560058.
Tel : 080 3355 5588 Fax : 080 3011 4301
E-Mail : bangalore@schwingstetterindia.com

Chandigarh : SCO 165 , SECTOR 38 C&D, Chandigarh (Union Territory) - 160 036.
Tel : 0172-3957500 / 3957505 Fax : 0172-3957501
E-Mail : chandigarh@schwingstetterindia.com

Vizag : Plot No.54, IDA - Block 'D', Expansion, Auto nagar, Vissakhapatnam - 530 012
Tel : 0891 6461783 Fax: 0891 2706063

Ahmedabad :103, Shivalik Arcade, 100 Ft.T.P Anand Nagar Satellite Road, Satellite, Ahmedabad 380 051.
Tel : 079- 3355 5588 Fax : 079-4006 4084
E-Mail : ahmedabad@schwingstetterindia.com

Cochin : No.34 / 1404 B, Arakkakadavu Road, Anchumana, Edappally - PO. Kochin - 682 024
Tel : 0484 - 4055544 Fax : 0484 - 4055984
E-Mail : cochin@schwingstetterindia.com

Raipur : NH-6, OppositeVardhaman Motor, Kumahari, Dist - Durg, Chhattisgarh - 490042.
Tel : 07821 247066
E-Mail : sunil.kumar@schwingstetterindia.com

Pune : Arihant Court, Shop No. 1,2 & 3, 481, Rasta Peth, Mudliar Road, Pune 411 011.
Tel : 020-33555588 Fax : 020-30531517, 30531511
E-Mail : pune@schwingstetterindia.com

Coimbatore :88-C, Nehru nagar (W), Kalapatti main road, Civil aerodrome PO, Coimbatore - 641014.Tel : 0422 4392227
E-Mail : coimbatore@schwingstetterindia.com

Bhubaneswar : Plot No:182, Naharkanta, Rudrapur,Beside Puri Main Canal,NH5, Bhubaneswar - 752101.
Odisha. Tel : 0674 2463999

Patna : C/o, Mrs. Hemanti Devi, East Pahari, NH-31,Near Zero Mile, Patna – 800007.
Tel: 0612-3057725 Fax : 0612-3057728
E-Mail : cochin@schwingstetterindia.com

Surat : C-19 & D-19 Green Park, Light Industrial Estate, Opp. Madhav Park, Udhna Navsari Road, Unn - Surat -395023. Tel : 0261 2750033
Fax: 020-30531517, 30531511
E-Mail : ahmedabad@schwingstetterindia.com

Mangalore : Door No.4/24/9, Off Survey No.165/1A,"Shreya Towers" Surathkal, Mangalore- 575 014
Tel : 0824 - 3200381 Fax: 0824 - 2478381

Guwahati : House No. 161, Jaya Nagar, Six Miles, Khanapara, Guwahati 781 022.
Tel: 0361 2234738 / 9957566738